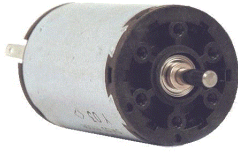


## Direct Current Motor AMAX26CLLHP



**The advantages :**  
 Servo motor, Low power consumption - Low noise - Reduced dimensions - CLL design

### Associated products :

- > Encoder
  - HEDL 5540
  - HEDS 5540
- > Power supply
  - DR-120-24
  - DR-60-24
  - DRP-240-24
  - DRP-480S-24
  - RS-100-24
  - RS-150-24
  - RS-75-24
  - SP-320-24

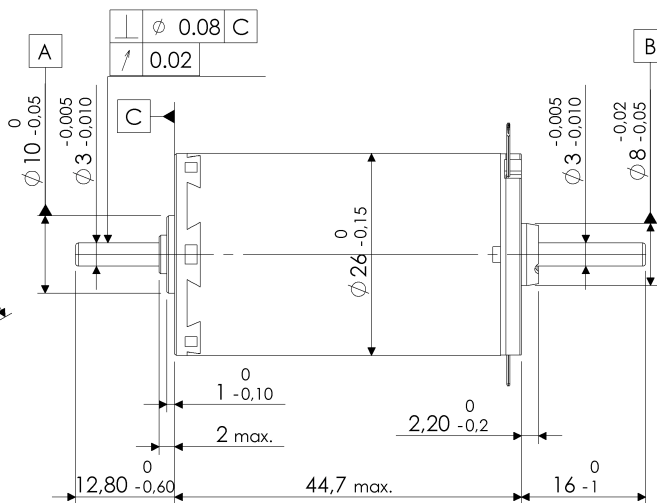
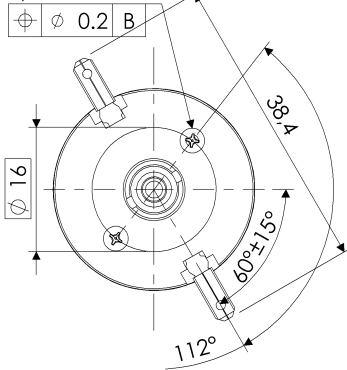
### maxon motor

4 W - 9 W

|                                  |                  |      |      |
|----------------------------------|------------------|------|------|
| Power supply voltage (Ua)        | V                | 12   | 24   |
| Speed at current In              | tr/mn            | 3014 | 3051 |
| Torque at current In             | mNm              | 13.2 | 12.8 |
| Max. permanent current (In)      | mA               | 529  | 262  |
| Ua no-load speed +/- 10%         | tr/mn            | 4440 | 4510 |
| No-load current +/- 50%          | mA               | 16.5 | 8.45 |
| Ua stall torque                  | mNm              | 41.4 | 40.1 |
| Ua stall current                 | mA               | 1620 | 797  |
| Torque constant                  | mNm/A            | 25.5 | 50.3 |
| Speed constant                   | tr/mn/V          | 374  | 190  |
| Speed/torque gradient            | tr/mn/mN         | 108  | 114  |
| Limit speed                      | tr/mn            | 6700 | 6700 |
| Max. Ua operating power output   | W                | 4.8  | 4.7  |
| Maximum efficiency               | %                | 81   | 81   |
| Electromechanical time constant  | ms               | 14.9 | 14.9 |
| Inertia                          | gcm <sup>2</sup> | 13.1 | 12.5 |
| Resistance across terminals      | Ohm              | 7.41 | 30.1 |
| Inductance                       | mH               | 0.77 | 2.99 |
| Ambient/Housing thermal          | K/W              | 13.2 | 13.2 |
| Rotor/Housing thermal resistance | K/W              | 3.2  | 3.2  |

|                                   |                 |
|-----------------------------------|-----------------|
| Commutation                       | Métaux précieux |
| Number of commutator segments     | 13              |
| Bearings                          | Paliers lisses  |
| Magnets                           | AINiCo          |
| Maximum axial load (dynamic)      | 1.7 N           |
| Minimum axial play                | 0.1 mm          |
| Maximum axial play                | 0.2 mm          |
| Maximum radial load               | 5.5 N           |
| at a distance from the face of:   | 5 mm            |
| Radial play                       | 0.012 mm        |
| Maximum slip force (static)       | 75 N            |
| If fixed rear axis                | 1200 N          |
| Min ambient operating temperature | -30 °C          |
| Max ambient operating temperature | 65 °C           |
| Max rotor temperature             | 85 °C           |
| Weight                            | 119 g           |

2 x M 1.6 X 4.6  
 à 180°  
 Cs(L=4,2 min.)  
 3,5 Ncm Max.



M2 x 4,4  
 Cs(L=4 min.) 8.5Ncm Max.

