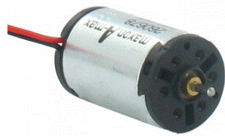


Direct Current Motor AMAX16CLL sortie fils



The advantages :
Servo motor - Reduced dimensions - CLL design

Associated products :

> Power supply
DR-120-24
DR-60-24
DRP-240-24
DRP-480S-24
RS-100-24
RS-150-24
RS-75-24
SP-320-24

maxon motor

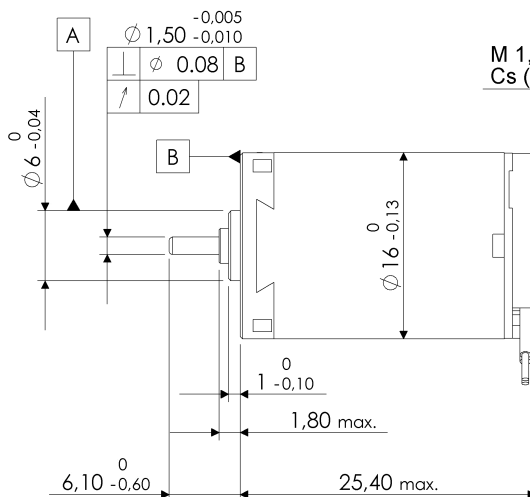
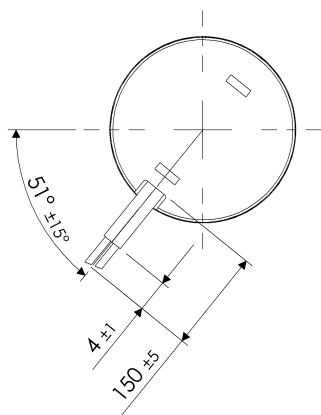
1.5 W - 4 W

Power supply voltage (Ua)	V	12	24
Speed at current In	tr/mn	6615	8025
Torque at current In	mNm	2.17	2.10
Max. permanent current (In)	mA	243	134
Ua no-load speed +/- 10%	tr/mn	12300	13800
No-load current +/- 50%	mA	9.54	5.83
Ua stall torque	mNm	4.8	5.1
Ua stall current	mA	520	315
Torque constant	mNm/A	9.17	16.3
Speed constant	tr/mn/V	1040	587
Speed/torque gradient	tr/mn/mN	2620	2750
Limit speed	tr/mn	19000	19000
Max. Ua operating power output	W	1.5	1.8
Maximum efficiency	%	76	75
Electromechanical time constant	ms	23.2	23.4
Inertia	gcm ²	0.844	0.811
Resistance across terminals	Ohm	23.1	76.2
Inductance	mH	0.831	2.61
Ambient/Housing thermal	K/W	29.8	29.8
Rotor/Housing thermal resistance	K/W	5.5	5.5

Commutation	Métaux précieux
Number of commutator segments	7
Bearings	Paliers Lisses
Magnets	AINiCo
Maximum axial load (dynamic)	0.8 N
Minimum axial play	0.05 mm
Maximum axial play	0.15 mm
Maximum radial load	1.4 N
at a distance from the face of:	5 mm
Radial play	0.025 mm
Maximum slip force (static)	35 N
Min ambient operating temperature	-30 °C
Max ambient operating temperature	65 °C
Max rotor temperature	85 °C
Weight	21 g
Norm	CE CERTIFEE

fil/lead AWG 26/7
fil/lead UL Style 1061

⊕ lead red/
fil rouge



M 1,6 x 3,4

Cs (L=3min.) 4 Ncm max.

