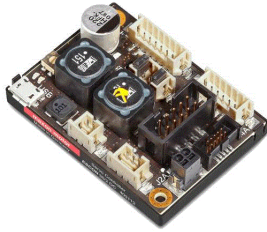


## DC technology controller ESCON DC 36/2



**The advantages :**  
 Speed servo-controller for DC motors up to 72W - 4 available I/O - Reduced dimensions  
 - Controller configurable via USB and graphic interface! Supplied without cable!

### Associated products :

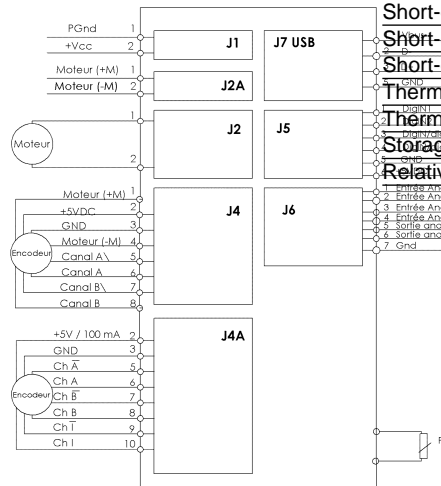
- > **Connector**  
ESCON cable USB
- > **Power supply**  
RS-100-24

## maxon motor

## 4 Quadrant(s) - 72 W

Max. power output	72 W
Power supply voltage	10 à 36 V
Peak output current	4 A
Max permanent output	2 A
Functional	PWM 4 Quadrants
Programming	No
Programming	Non
Operating mode.	Tension, RI, Tachy,
Operating mode	Codeur, Courant
INPUTS:	.....
Analog	2, 12 bit, +/-10V,
Speed setpoint	Pot. ext/int, PWM 53.6KHZ
Peak current set value	paramétrable par ESCON
Permanent current set	paramétrable par ESCON
Enable	Oui
Enable	Yes
Direction	Oui
Direction	Yes
Speed feedback via tacho	Oui
Speed feedback via tacho	Yes
Speed feedback via	Oui
Speed feedback via	Yes

OUTPUTS:	.....
Current image	paramétrable par ESCON
Speed image	paramétrable par ESCON
Ready	Oui
Ready	Yes
Auxiliary voltage	+5VDC / 10mA
Encoder power supply	+5VDC / 70mA
SETTINGS:	.....
Graphic interface display	ESCON STUDIO
IR compensation	paramétrable par ESCON
Offset	Oui
Offset	Yes
Max speed	paramétrable par ESCON
Max current	4 (<60s) A
Regulator gain	paramétrable par ESCON
Tacho gain	paramétrable par ESCON
Power supply	Oui
Power supply	Yes
Polarity reversal	No
Polarity reversal	Non
Over-voltage	Oui
Over-voltage	Yes
Under-voltage	Oui
Under-voltage	Yes
Current overload	Oui
Current overload	Yes
Motor short-circuit	Oui
Motor short-circuit	Yes
Short-circuit to	Oui
Short-circuit to	Yes
Short-circuit to auxiliary	Oui
Short-circuit to auxiliary	Yes
Thermal	Oui
Thermal	Yes
Storage	-40 +85° C
Relative humidity	20 à 80% sans



Edition: Juli 2022 / subject to modification

Version of 06/07/2022

