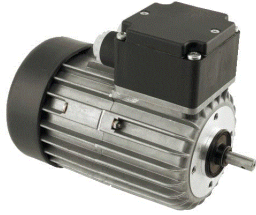


Alternating Current Motor DG7150-2

The advantages :
Set speed independent of load - 2 directions
of rotation - Small footprint.

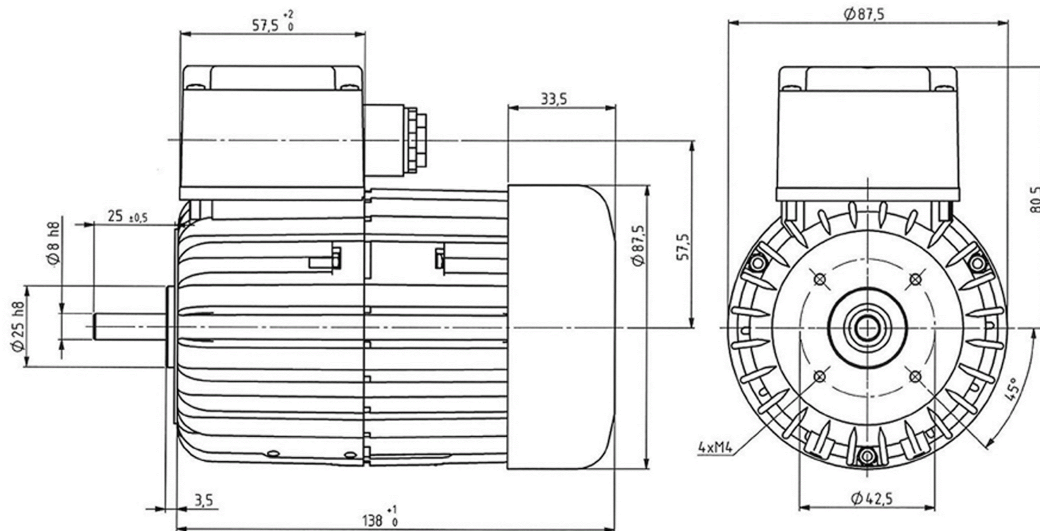


gefeg

90 W

Nominal voltage	V	400
Frequency	Hz	50
No-load speed	tr/mn	2750
Nominal speed	tr/mn	2750
Nominal torque	mNm	312
Nominal operating power output	W	90
Stall torque	mNm	1050
Absorbed current	mA	390
Rotor inertia	gcm ²	455

Maximum axial load (dynamic)	20 N
Maximum radial load	220 N
Min. ambient operating temperature	-20 °C
Maximum ambient operating temperature	40 °C



Edition: Juli 2022 / subject to modification

Version of 06/07/2022