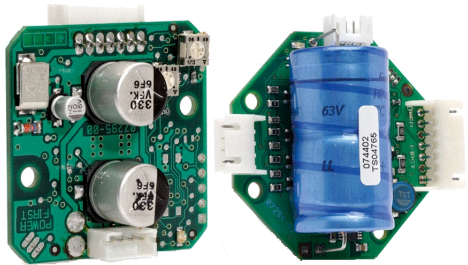


Stepper technology Controller NANO PAP 30/1



The advantages :
 Micro-step operation - Small dimensions -
 High-performance product - Current and
 operating mode configuration
! SUPPLIED WITHOUT CABLES!

Associated products :

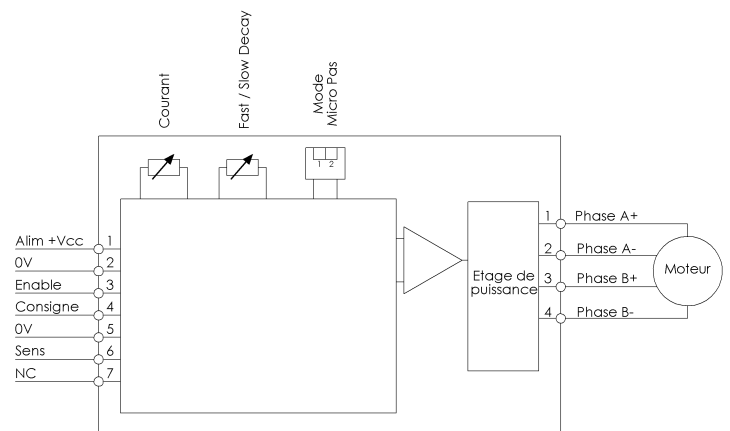
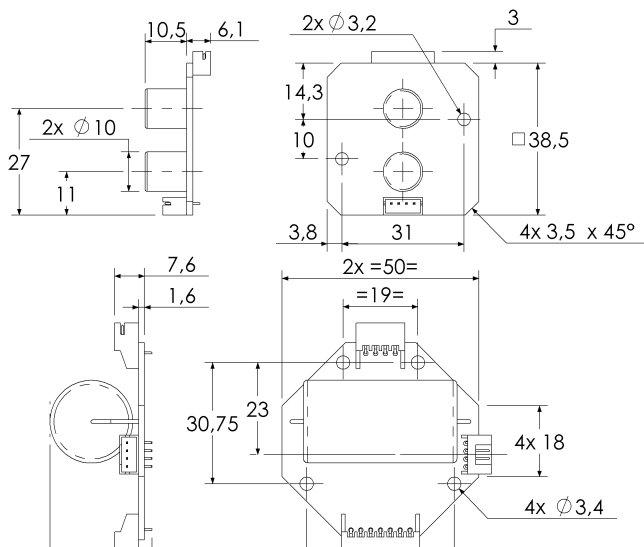
- > Connector
CABLE PARAMETRAGE
- > Power supply
DR-30-12 / 24
RS-75-24

mdp electronics

30 W

Power supply voltage	de 10 a 30 V
RMS current per phase	de 0,2 a 1 A
Current in standby mode	70% de In A
Motor control mode	bipolaire 4 fils
Number of microsteps	1.2.4.16
Max. clock frequency	160 kHz
INPUTS:	
Step clock	+5 VDC
Direction	+5 à +24 VDC
Enable	+5 à +24 VDC
OUTPUTS:	
SETTINGS:	
Number of microsteps per	Par microswitch
Nominal current per phase	Par potentiomètre A
PROTECTION:	
Power supply	Par fusible réarmable
Motor short-circuit	Oui
Motor short-circuit	Yes
ENVIRONMENT:	
Operational	0 à +40°C
Storage	-40 à +85°C
Relative humidity	20 à 80% non condensée

CONNECTIONS:	
Power connector	JST PH 4 points
Controller connector	JST PH 7 points
MECHANICAL:	
Housing	38 x 38 x 17
Mounting	Par vis M3
Weight	15 g



Edition: Juli 2022 / subject to modification

Version of 06/07/2022