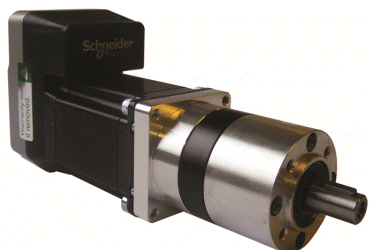


Geared Stepper Motor LMD23/PM52 Electronique Integree IP20



The advantages :
 Integral axis motion controller positioning motor with 1000-point encoder -
 Configurable I/O - Standalone operation via memorised cycle - no-step losses integrated -
 Torque Mode. See instructions. 4-Year

Associated products :

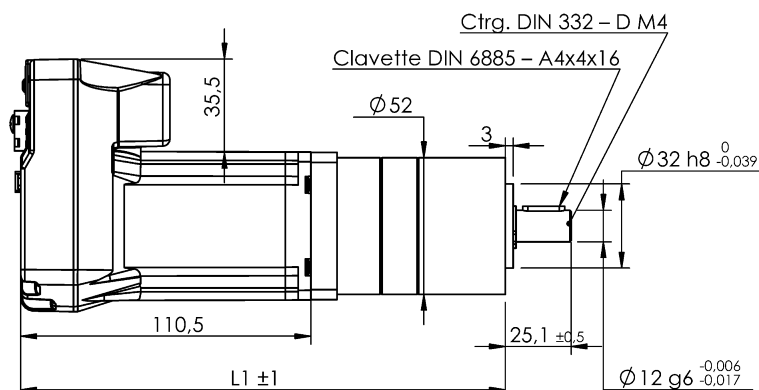
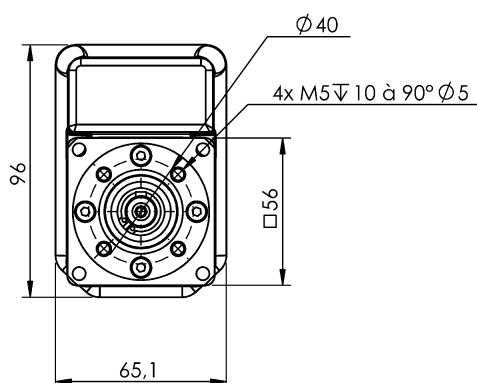
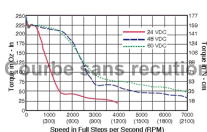
> Power supply
 DR-120-24
 DRP-240-48

mdp

4 Nm - 25 Nm

| Version | Reduction ratio | Number of stages | Efficiency | Step angle (°) | Holding Torque (Nm) | Rated Torque / Phase (A) | Inertia (g.cm ²) |
|------------|-----------------|------------------|------------|----------------|---------------------|--------------------------|------------------------------|
| LMD23/0004 | 3.70 | 1 | 0.80 | 0.49 | 4.00 | 3.50 | 460 |
| LMD23/0016 | 15.88 | 2 | 0.75 | 0.11 | 12.00 | 3.50 | 460 |
| LMD23/0051 | 50.89 | 3 | 0.70 | 0.035 | 25.00 | 3.50 | 460 |

| | |
|-----------------------------------|-------------------|
| Insulation class | B |
| Protection | IP20 |
| Reduction gear type | planetary |
| Bearings | ball bearings 2RS |
| Gears fabricated from: | Delrin/Acier |
| input stage | Delrin |
| output stage | Steel |
| Maximum axial load | 100 N |
| Maximum radial load | 200 N |
| Slip force | 500 N |
| Angular play under load | 0.70 ° |
| Maximum input speed | 3000 tr/mn |
| Max ambient operating temperature | 140 °C |
| Reduction gear min temperature | -30 °C |
| Reduction gear max temperature | 140 °C |
| Motor min temperature | -20 °C |
| Motor maximum temperature | 50 °C |



| Nombre d'étages | 1 | 2 | 3 | 4 |
|-----------------|-------|-------|-------|-------|
| L1 | 184.7 | 198.9 | 213.1 | 227.3 |

Edition: Juli 2022 / subject to modification

Version of 06/07/2022

