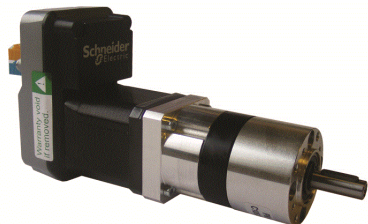


Geared Stepper Motor LMD17/PM42 Electronique Integree IP20



The advantages :
 Integral axis motion controller positioning motor with 1000-point encoder -
 Configurable I/O - Standalone operation via memorised cycle - no-step losses integrated -
 Torque Mode. See instructions. 4-Year

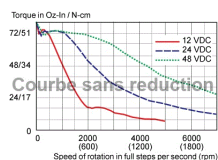
Associated products :

> Power supply
 DR-120-24
 DR-30-12 / 24
 DRP-240-48

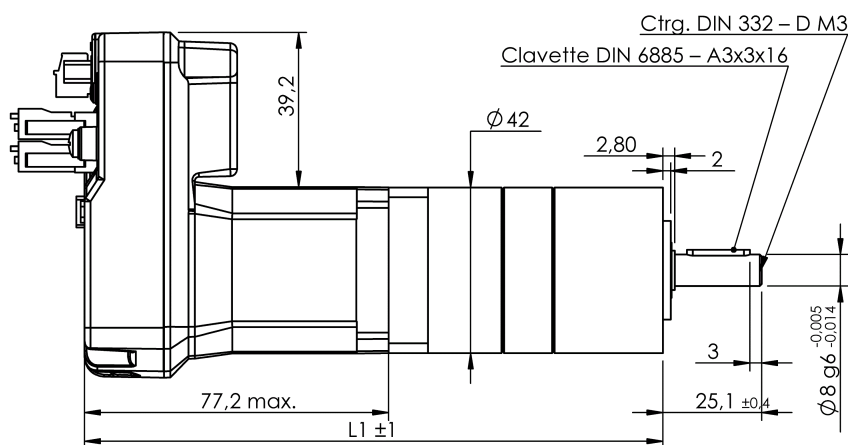
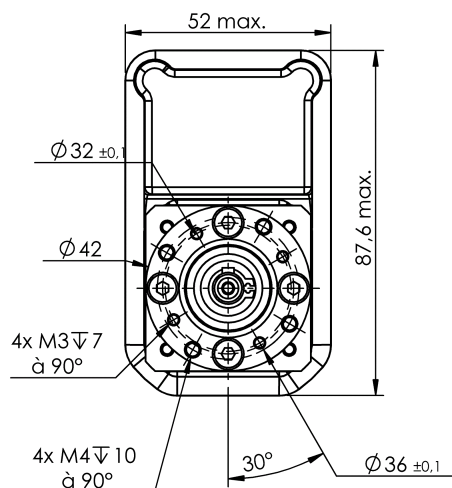
mdp

1.8 Nm - 15 Nm

Version	Reduction ratio	Number of stages	Efficiency	Step angle (°)	Holding Torque (Nm)	Rated Torque / Phase (A)	Inertia (g.cm ²)
LMD17/0004	3.70	1	0.80	0.49	1.80	2.00	82
LMD17/0016	15.88	2	0.75	0.11	7.40	2.00	82
LMD17/0051	50.89	3	0.70	0.035	15.00	2.00	82



Insulation class	B
Protection	IP20
Reduction gear type	planetary
Bearings	ball bearings 2RS
Gears fabricated from:	Delrin/Acier
input stage	Delrin
output stage	Steel
Maximum axial load	110 N
Maximum radial load	160 N
Slip force	320 N
Angular play under load	0.90 °
Maximum input speed	3000 tr/mn
Max ambient operating temperature	140 °C
Reduction gear min temperature	-30 °C
Reduction gear max temperature	140 °C
Motor min temperature	-20 °C
Motor maximum temperature	50 °C



Nombre d'étages	1	2	3	4
L1	146.9	160	173.1	186.2

Edition: Juli 2022 / subject to modification

Version of 06/07/2022

