

Brushless Motor EC-i52HT 8p



The advantages :
 Servo motor - Reduced dimensions -
 lightweight - focused torque - fast
 acceleration. - long service life.

Associated products :

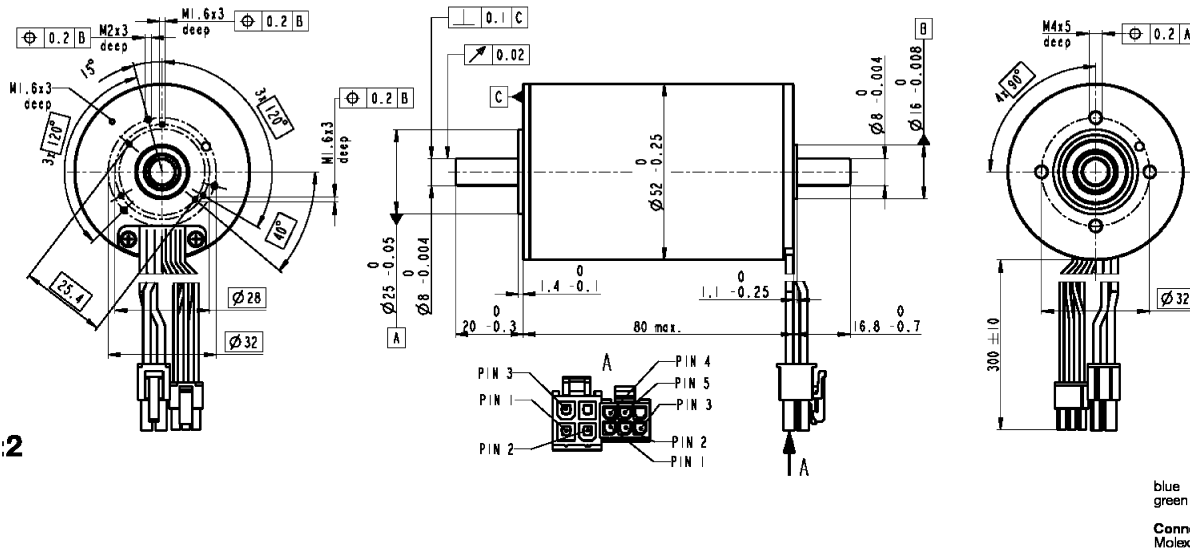
- > **Brake**
WR220
- > **Encoder**
HEDL 5540
HEDS 5540
- > **Power supply**
DRP-240-24
DRP-240-48
SP-320-24
- > **Controller**
EPOS4 70/15
ESCON 50/5
ESCON 70/10

maxon motor

188 W - 269 W

Power supply voltage (Ua)	V	24	48
Speed at current In	tr/mn	4200	4450
Torque at current In	mNm	428	412
Maximum permanent current In	mA	8810	4470
Ua no-load speed +/- 10%	tr/mn	4680	4900
No-load current +/- 50%	mA	726	390
Ua stall current	mA	268000	169000
Ua stall torque	mNm	13000	15700
Torque constant	mNm/A	48.6	92.7
Speed constant	tr/mn/V	197	103
Speed/torque gradient	tr/mn/mN	0.362	0.316
Limit speed	tr/mn	6000	6000
Maximum Ua operating power	W	1595	2016
Maximum efficiency	%	90	90.7
Electromechanical time constant	ms	0.645	0.562
Inertia	gcm ²	170	170
Terminal resistance phase to phase	Ohm	0.0894	0.284
Inductance	mH	0.122	0.443
Ambient/Housing thermal	K/W	4.32	4.32
Coil/Housing thermal resistance	K/W	0.63	0.63
Coil thermal time constant	s	10.2	10.2
Housing thermal time constant	s	1780	1780
Test voltage	V	24	48
Nominal operating power output	W	188	192
Max permanent operating power	W	269	259

Commutation	brushless
Number of phases	3
Bearings	Roulements préchargés
Maximum axial load (dynamic)	12 N
Minimum axial play	0 mm
Maximum axial play	0.14 mm
Maximum radial load	110 N
at a distance from the face of:	5 mm
Radial play	preloaded mm
Maximum slip force (static)	150 N
If fixed rear axis	6000 N
Minimum ambient operating temperature	-40 °C
Maximum ambient operating temperature	+100 °C
Maximum coil temperature	+155 °C
Weight	823 g



ion (Cable AWG 16)
 Motor winding 1 Pin 1
 Motor winding 2 Pin 2
 Motor winding 3 Pin 3
 N.C. Pin 4

or Article number
 39-01-2040

ion (Cable AWG 26)
 Hall sensor 1 Pin 1
 Hall sensor 2 Pin 2
 Hall sensor 3 Pin 3
 GND Pin 4
 V_{bat} 4.5...24 VDC Pin 5
 N.C. Pin 6

blue
 green
 white

Connector Article number
 Molex 430-25-0600